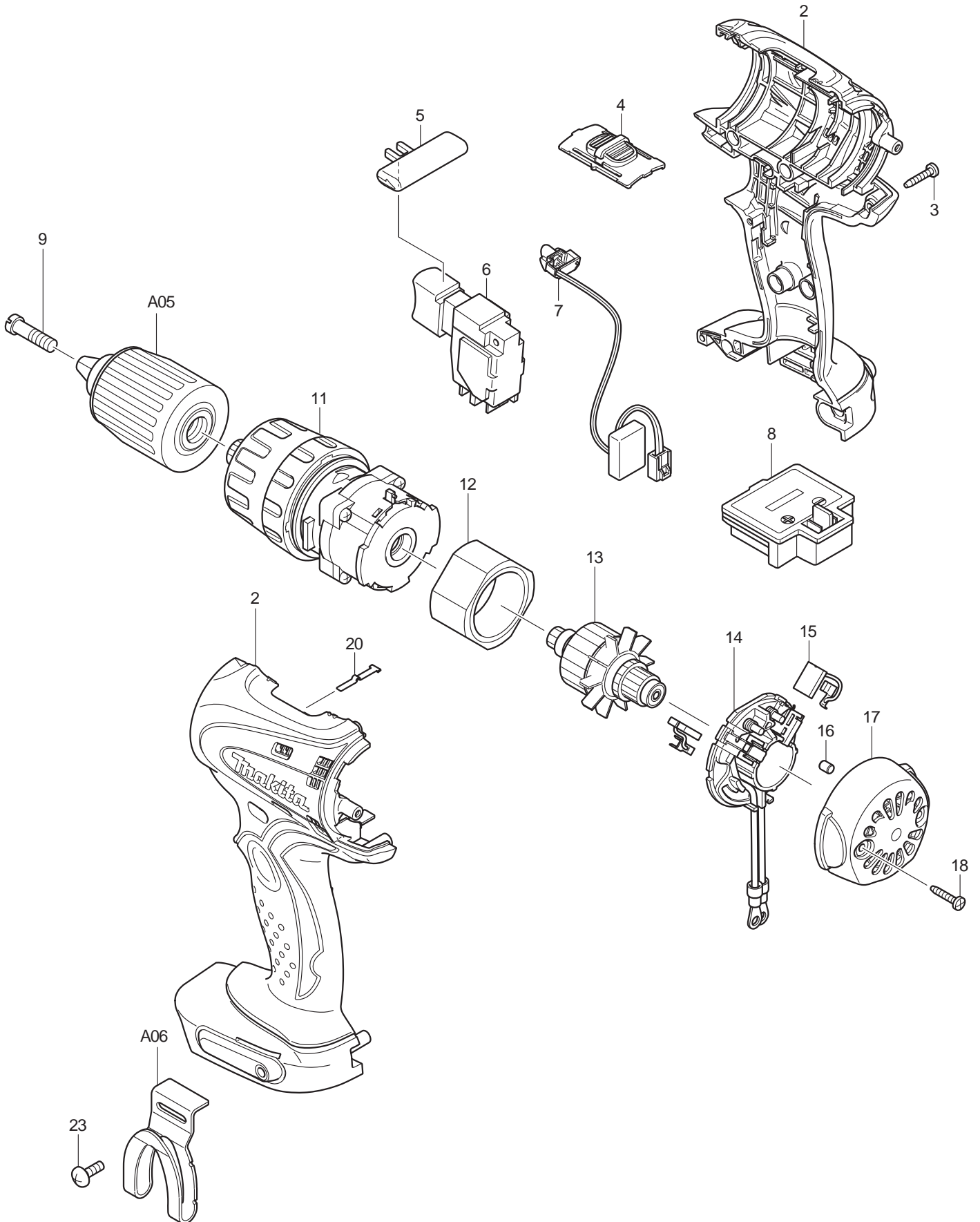




12 - 2008

BHP450

# 18V 1/2" PERCUSSION DRIVER DRILL



Item No.	Part No.	Description	Qty	Unit
2	188064-5	HOUSING SET	1	SET
3	266130-9	TAPPING SCREW BIND PT 3X16	9	PC.
4	125310-5	SPEED CHANGE LEVER ASS'Y	1	PC.
5	419041-9	CHANGE LEVER	1	PC.
6	650569-0	SWITCH (TRIGGER)	1	PC.
7	631693-8	LIGHT CIRCUIT	1	PC.
8	643812-4	TERMINAL	1	PC.
9	251464-3	- FLAT HEAD SCREW M6X26 (TYPE1)	1	PC.
	251472-4	- FLAT HEAD SCREW M6X26 (TYPE2)	1	PC.
11	125311-3	GEAR ASS'Y	1	PC.
12	638423-8	YOKE UNIT	1	PC.
13	619170-0	ARMATURE	1	PC.
14	638424-6	BRUSH HOLDER COMPLETE	1	PC.
	INC. 231696-8	TORSION SPRING R	1	PC.
	INC. 231697-6	TORSION SPRING L	1	PC.
15	194427-5	CARBON BRUSH CB-440	1	SET
16	263032-0	RUBBER PIN 4	2	PC.
17	418981-8	REAR COVER	1	PC.
18	266130-9	TAPPING SCREW	2	PC.
20	232182-2	LEAF SPRING	1	PC.
23	251314-2	+ SCREW M4X12 (F/HOOK)	1	PC.
100	652045-0	+ P.H.SCREW M3.5X5 (ENDBELL) (F/SWITCH)	1	PC.
<b><u>ACCESSORIES</u></b>				
A01	DC18RA	DC18RA BATTERY CHARGER	1	PC.
	DC18RAKIT	CHARGER DC18RA + BATTERY	1	SET
	DC18SD	DC18SD BATTERY CHARGER F/BL1815	1	PC.
	DC18SE	12V AUTOMOTIVE CHARGER DC18SE	1	PC.
	DC24SA	CHARGER F/7.2-24V, 1.3-3.3AH	1	PC.
	DC24SC	CHARGER F/7.2-24V, 1.3-3.3AH	1	PC.
A02	194205-3	18V (3.0 AH) LI-ION BATTERY BL1830	2	PC.
	194230-4	18V (3.0 AH) LI-ION BATTERY BL1830 - 2PC/PK	1	PK.
	194288-3	18V (3.0 AH) LI-ION BATTERY BL1830 - 10PC/PK	1	PK.
A03	824753-5	PLASTIC CARRYING CASE	1	PC.
	INC. 324207-7	SHAFT	1	PC.
	INC. 413098-2	PLATE	4	PC.
	INC. 417724-5	LATCH	2	PC.
	INC. 419215-2A	PLASTIC CASE LID (TAB TYPE)	1	PC.
	INC. 419216-0	HANDLE	1	PC.
A04	784203-1	PHILLIPS BIT 2-65	1	PC.
A05	763193-1	KEYLESS DRILL CHUCK 13	1	PC.
A06	324705-1	HOOK	1	PC.
A07	450128-8	BATTERY COVER	1	PC.
A08	194649-7	BATTERY PROTECTOR (F/BL1830)	1	PC.
A09	166070-0	SHOULDER BELT	1	PC.

\*INC.=INCLUDES